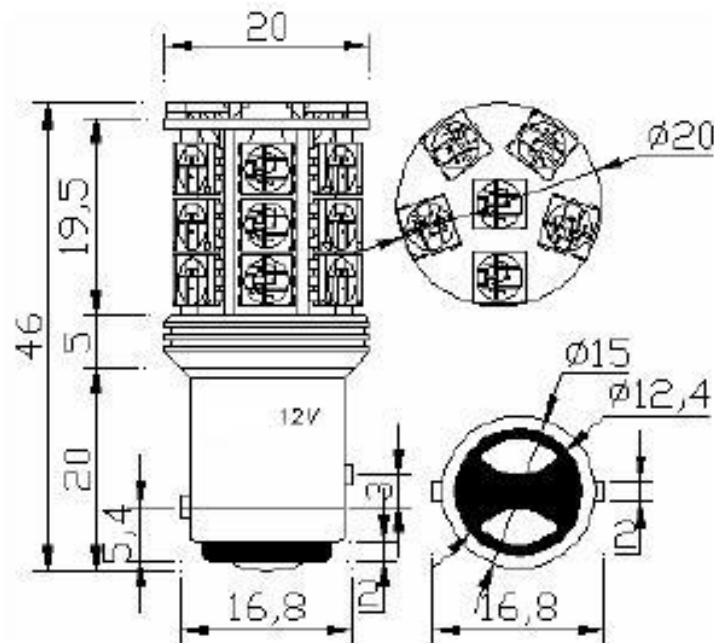


DESCRIPTION:

(A) Electronics and Optical Characteristics: Ta=25°C

PART NO	Emitting Color	Forward Voltage (DC)	Totally Luminous Intensity	Efficacy	Dominant Wavelength	Color Temperature	Single LED Intensity	Viewing Angle
		Unit: V	Unit: LM Error margin: ±5%	Unit: LM/W	Unit: nm	Unit: K	Unit: mcd (1m)	Unit: deg
BA15D-27RD	Super Red	14.20	84.38/17.66	41.27/29.61	625~634	1001	5548	180.0
BA15D-27YL	Super Yellow	14.20	65.67/16.16	31.68/27.11	592~595	1549	5096	180.0
<b>Test Condition</b>		<b>Power: 2.05/0.58W</b>		<b>Current: 145/41 ±10% mA</b>				
BA15D-27GR	Ultra Green	14.20	148.40/27.80	44.32/47.71	525~521	7120	10380	180.0
BA15D-27BL	Ultra Blue	14.20	43.62/8.102	14.98/13.92	475~474	≥100000	3376	180.0
BA15D-27WH	Super White	14.20	162.96/25.01	55.98/42.96	X:0.285 Y:0.302	8850	10130	180.0
<b>Test Condition</b>		<b>Power: 2.9/0.58W</b>		<b>Current: 205/41 ±10% mA</b>				

Figure:



(B) Absolute Maximum Ratings AT Ta=25°C

PARAMETER	MAX	UNIT
Continuous Forward Current		mA
Peak Forward Current (1/10 Duty Cycle 0.1ms Pulse Width)		mA
Reverse Voltage		V
Operating Temperature Range	-20°C to +50°C	
Storage Temperature Range	-40°C to +100°C	
Lead Solder Temperature 1.6mm Below Package 260°C For 5 seconds		