

# Karta Informacyjna Produktu

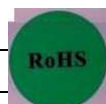
| NAZWA PRODUKTU     | KOD       |
|--------------------|-----------|
| antena GSM - FAKRA | GSM-FAKRA |

## Charakterystyka elektryczna

|   |                       |                      |
|---|-----------------------|----------------------|
| 1 | Zakres Częstotliwości | GSM900:820-960MHZ    |
|   |                       | GSM1800:1710-1880MHZ |
|   |                       | GSM1900:1850-1990MHZ |
|   |                       | UMTS:1900-2170MHZ    |
| 2 | V.S.W.R               | 3.0:1                |
| 3 | Szerokość Pasma       | 140MHZ@900MHZ        |
|   |                       | 170MHZ@1800MHZ       |
|   |                       | 140MHZ@1900MHZ       |
|   |                       | 270MHZ@2000MHZ       |
| 4 | Oporność              | 50 ohm               |
| 5 | Wzmocnienie           | 0dbi@900MHZ          |
|   |                       | 1dbi@1800MHZ         |
|   |                       | 1dbi@1900MHZ         |
|   |                       | 1.5dbi@2000MHZ       |
| 6 | Azimuth               | Dookólna             |
| 7 | Polaryzacja           | polaryzacja liniowa  |

## Materiał

| Nr | Element   | Specyfikacja       |
|----|-----------|--------------------|
| 1  | Antena    | PCB                |
| 2  | Przewód   | RG174 ( L=3±0.1M ) |
| 3  | Konektor  | FAKRA              |
| 4  | Mocowanie | przyklejana        |
| 5  | Obudowa   | plastikowa         |
| 6  | Grubość   | 6mm (ogólna)       |



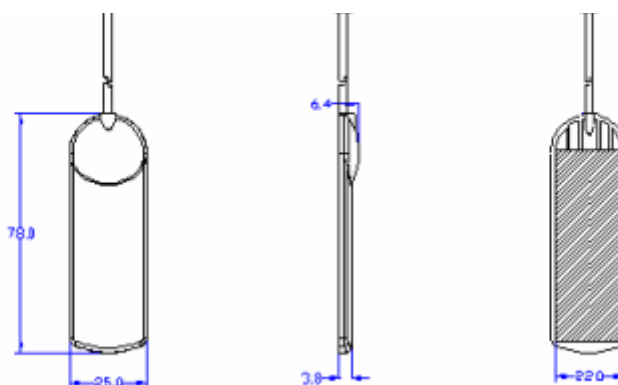
## Informacje dodatkowe

|   |                      |                     |
|---|----------------------|---------------------|
| 1 | Temp. pracy          | -45°C~+85°C         |
| 2 | Temp. przechowywania | -45°C~+85°C         |
| 3 | Wibracje             | 1g(0-p)             |
|   |                      | 10~55~10Hz każda oś |
|   |                      |                     |

## Notatki



## Struktura



# Product Information Sheet

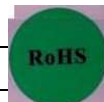
|                     |                     |
|---------------------|---------------------|
| <b>PRODUCT NAME</b> | <b>PRODUCT CODE</b> |
| antenna GSM - Fakra | GSM-FAKRA           |

## Electrical Characteristics

|   |                 |                      |
|---|-----------------|----------------------|
| 1 | Frequency Range | GSM900:820-960MHZ    |
|   |                 | GSM1800:1710-1880MHZ |
|   |                 | GSM1900:1850-1990MHZ |
|   |                 | UMTS:1900-2170MHZ    |
| 2 | V.S.W.R         | 3.0:1                |
| 3 | Band Width      | 140MHZ@900MHZ        |
|   |                 | 170MHZ@1800MHZ       |
|   |                 | 140MHZ@1900MHZ       |
|   |                 | 270MHZ@2000MHZ       |
| 4 | Impedence       | 50 ohm               |
| 5 | Gain(Typical)   | 0dbi@900MHZ          |
|   |                 | 1dbi@1800MHZ         |
|   |                 | 1dbi@1900MHZ         |
|   |                 | 1.5dbi@2000MHZ       |
| 6 | Azimuth         | Omni-direction       |
| 7 | Polarization    | Linear polarization  |

## Material

| No | Part Name    | SPEC               |
|----|--------------|--------------------|
| 1  | Antenna      | PCB                |
| 2  | RF Cable     | RG174 ( L=3±0.1M ) |
| 3  | RF Connector | FAKRA              |
| 4  | Mounting     | Adhesive Type      |
| 5  | Enclosures   | Plastic            |
| 6  | Thickness    | 6mm(Typical)       |



## Testing Conditions

|   |              |                      |
|---|--------------|----------------------|
| 1 | Working Temp | -45°C~+85°C          |
| 2 | Storage Temp | -45°C~+85°C          |
| 3 | Vibration    | Sine sweep 1g(0-p)   |
|   |              | 10~55~10Hz each axis |
|   |              |                      |

## Notes



## Structure

