



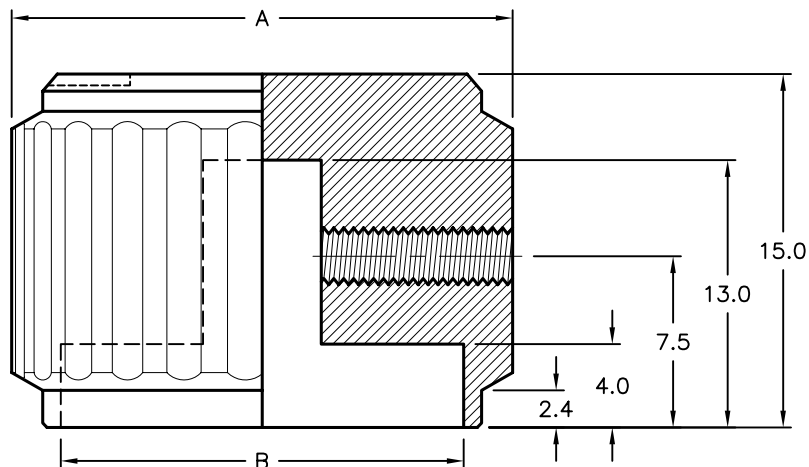
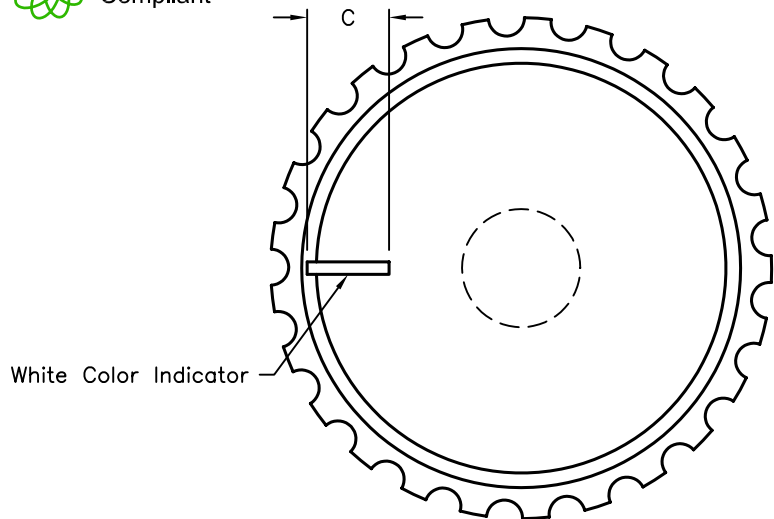
ALL RIGHTS RESERVED. NO PORTION OF THIS PUBLICATION, WHETHER IN WHOLE OR IN PART CAN BE REPRODUCED WITHOUT THE EXPRESS WRITTEN CONSENT OF SPC TECHNOLOGY.

SPC-F005.DWG

REVISIONS

DOC. NO. SPC-F005 \* Effective: 7/8/02 \* DCP No: 1398

DCP #	REV	DESCRIPTION	DRAWN	DATE	CHECKD	DATE	APPRVD	DATE
1933	A	RELEASED	EO	09/07/06	SA	09/13/06	HO	09/13/06



**SPCIFICATIONS:**

1. Material: Aluminum
2. Anodized: Silver
3. Shaft Hole: 6.4 mm (1/4")

Multicomp P/N	A	B	C	Set Screw
MC21029	15.0	12.0	3.5	M4x4
MC21030	20.0	15.0	4.0	M4x5
MC21031	25.0	18.0	4.5	M4x6
MC21032	30.0	25.0	5.0	M4x6

DISCLAIMER: ALL STATEMENTS AND TECHNICAL INFORMATION CONTAINED HEREIN ARE BASED UPON INFORMATION AND/OR TESTS WE BELIEVE TO BE ACCURATE AND RELIABLE. SINCE CONDITIONS OF USE ARE BEYOND OUR CONTROL, THE USER SHALL DETERMINE THE SUITABILITY OF THE PRODUCT FOR THE INTENDED USE AND ASSUME ALL RISK AND LIABILITY WHATSOEVER IN CONNECTION THEREWITH.

**TOLERANCES:**  
UNLESS OTHERWISE SPECIFIED, DIMENSIONS ARE FOR REFERENCE PURPOSES ONLY.

DRAWN BY:	DATE:
EKLAS ODISH	09/07/06
CHECKED BY:	DATE:
SAMI ALNADI	09/13/06
APPROVED BY:	DATE:
HISHAM ODISH	09/13/06

DRAWING TITLE: <b>Dial Type Knobs, Knurled Sides, Top Indicator Line, Solid Aluminum</b>			
SIZE	DWG. NO.	ELECTRONIC FILE	REV
A	TA-783	TA-783.DWG	A
SCALE: NTS	U.O.M.: MILLIMETERS	SHEET: 1 OF 1	