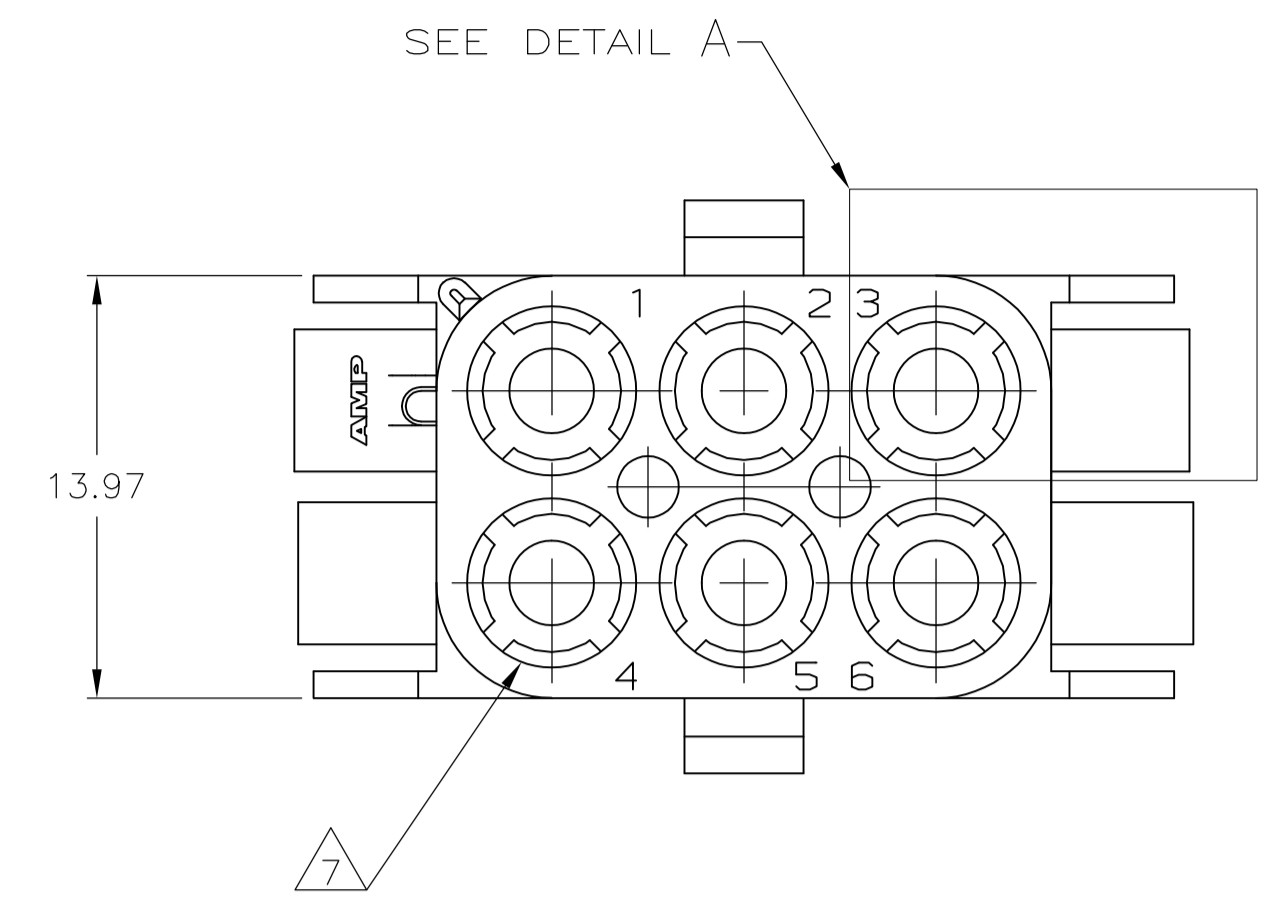
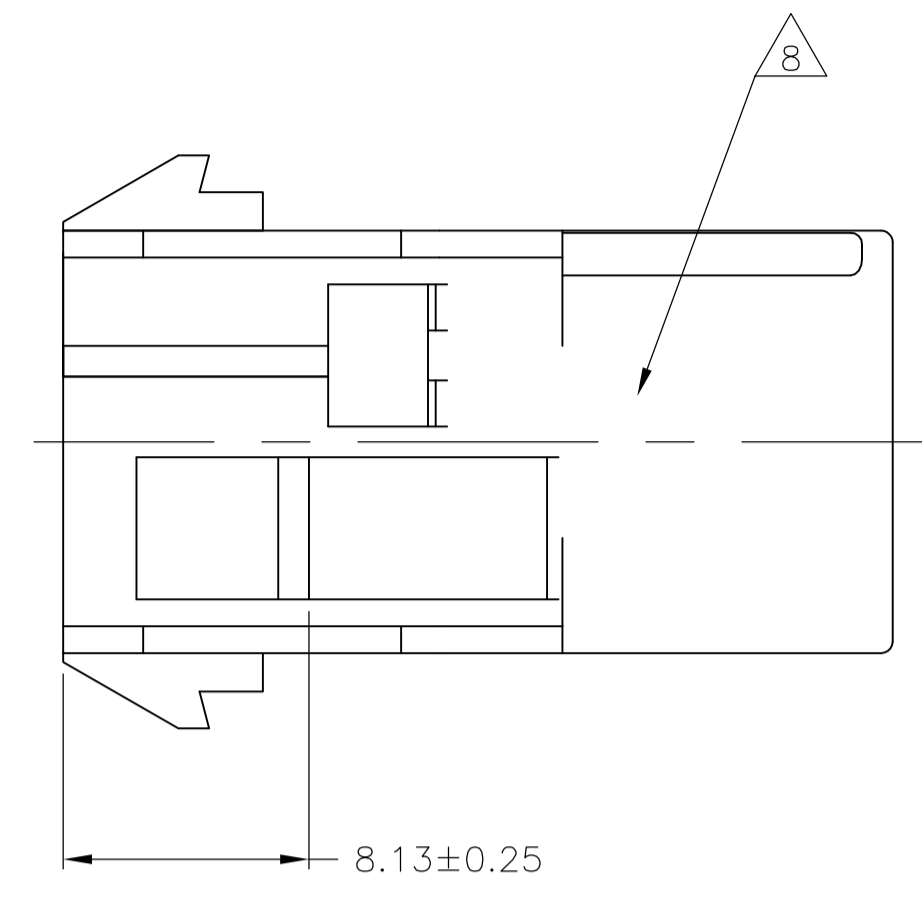
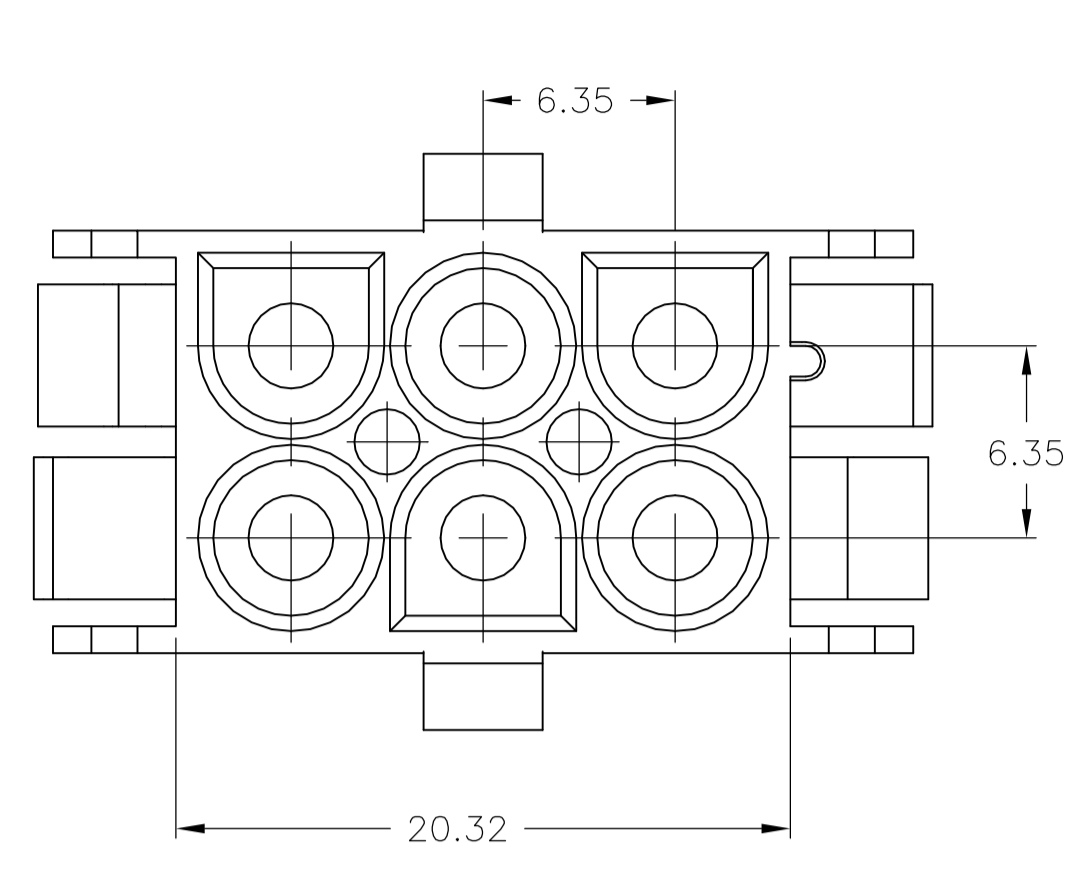
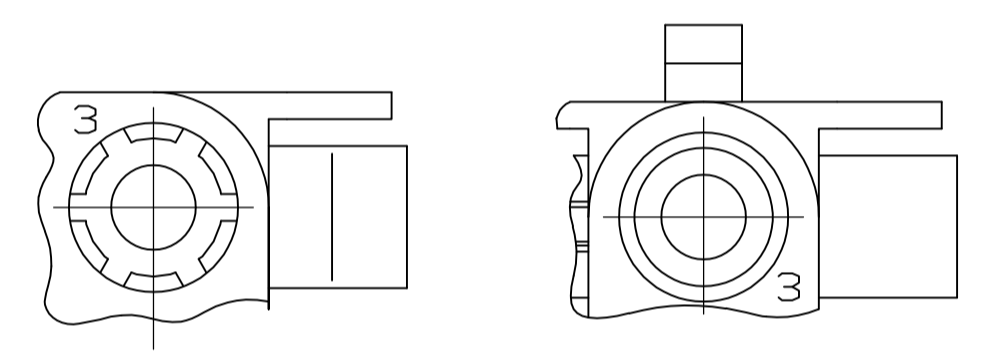


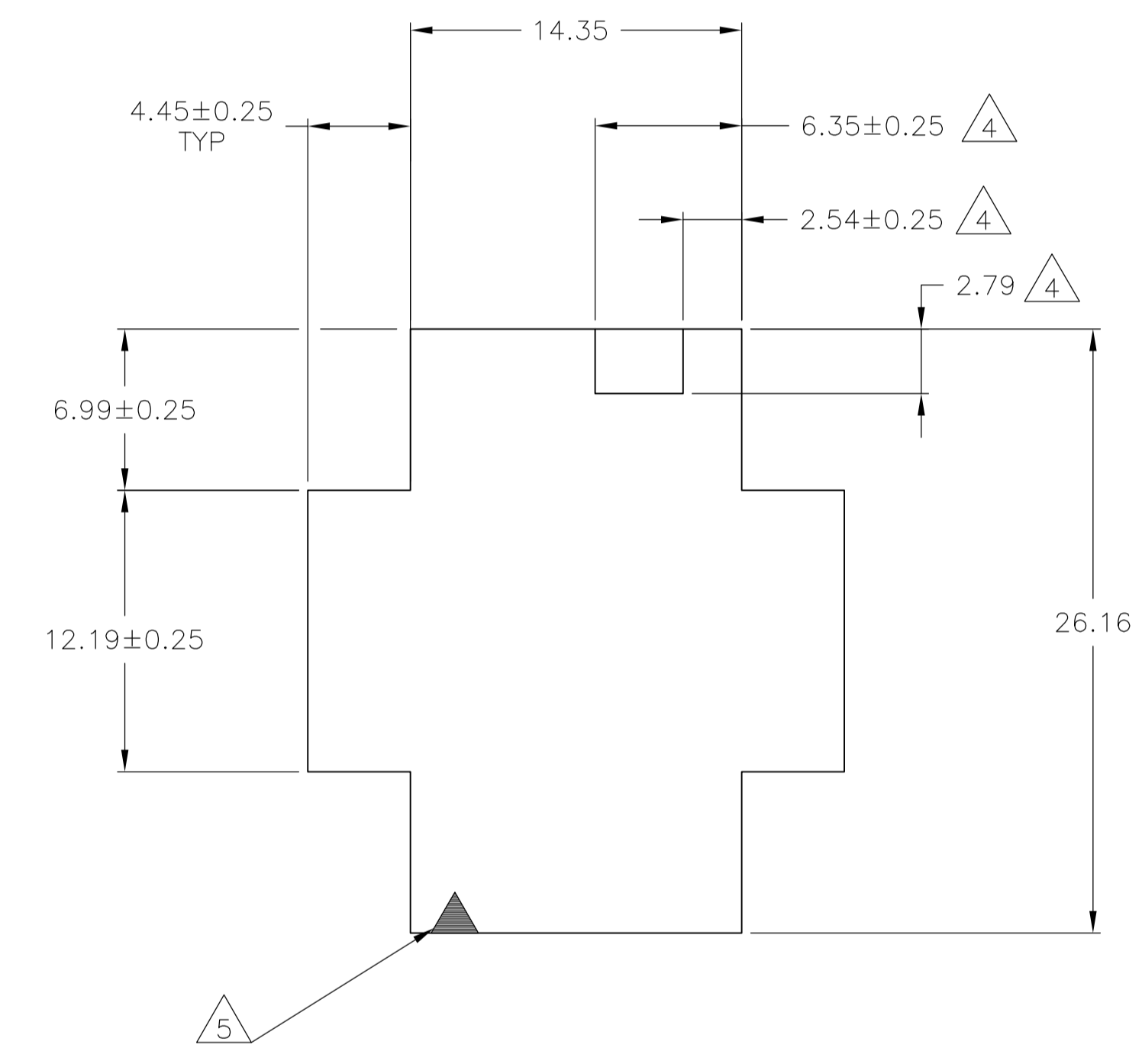
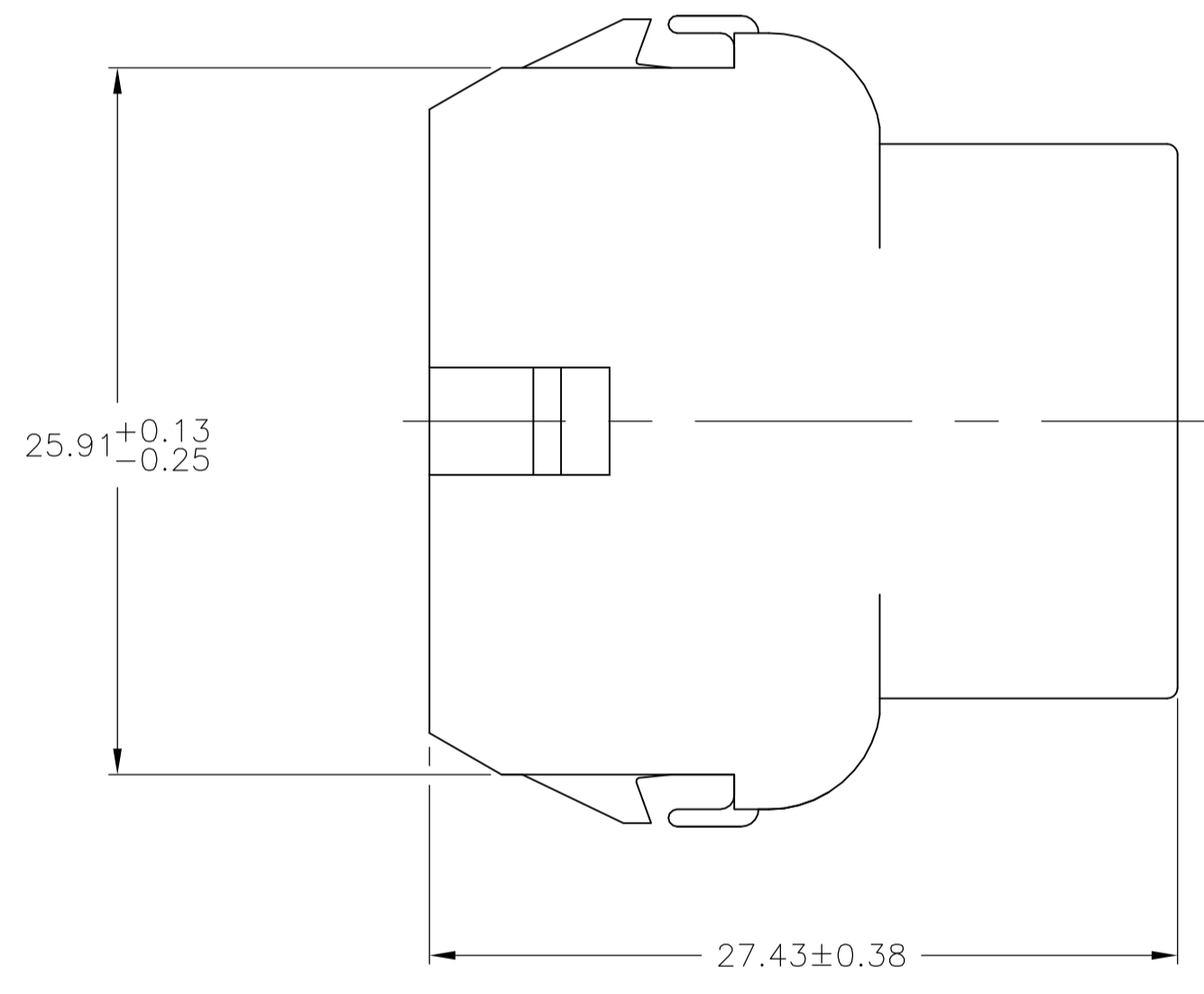
LOC		DIST		REVISIONS			
CM	00	REV	DATE	BY	CHK	APPV	
AP4	REVISED PER ECR-17-008392		28JUN2017	BW	KR		



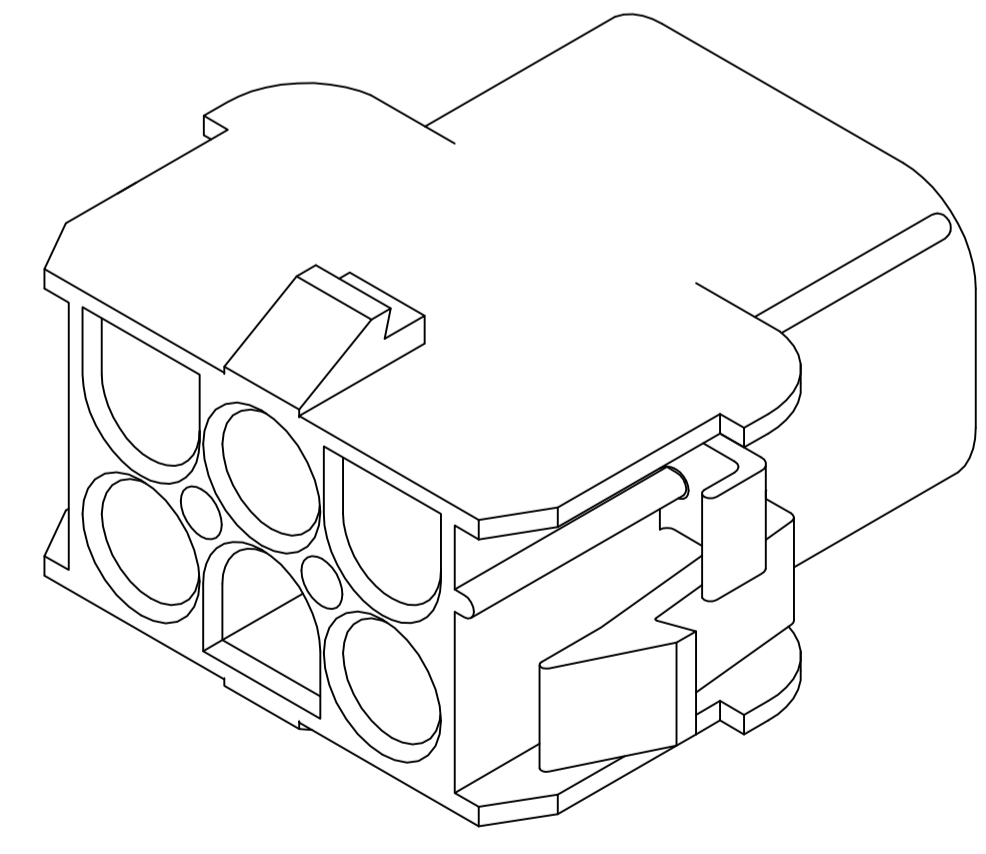
- 1 MATES WITH APPROPRIATE UNIVERSAL MATE-N-LOK™ PLUG.
- 2 RECOMMENDED PANEL THICKNESS 0.76 - 2.29.
- 3 PANEL MUST BE PUNCHED SO THAT THE HOUSING ENTERS THE PANEL IN THE SAME DIRECTION AS THE PUNCH.
- 4 OPTIONAL FOR KEYING HOUSING IN PANEL.
- 5 CIRCUIT NUMBER 1 LOCATION.
- 6 DIMENSIONS SHOWN REPRESENT PRODUCT IN DRY, AS MOLDED, CONDITION. ADDITIONAL 2% GROWTH DUE TO SUBSEQUENT MOISTURE ABSORPTION MAY OCCUR AND SHOULD BE ACCOUNTED FOR.
- 7 FOUR RIBS EQUALLY SPACED, NO SPECIFIC ORIENTATION. NO RIBS OR SIX RIBS EQUALLY SPACED, NO SPECIFIC ORIENTATION, OPTIONAL.
- 8 UNDERWRITERS RECOGNIZED COMPONENT LOGO AND CSA CERTIFICATION LOGO TO BE LOCATED ONCE EACH ON SIDE OF HOUSING.
- 9 OBSOLETE PARTS: OBSOLETE CIS STREAMLINING PER D.RENAUD/D.SINISI



DETAIL A
OPTIONAL CONSTRUCTIONS



RECOMMENDED PANEL CUT OUT



3-DIMENSIONAL MODEL
NTS

MM	IN	MM	IN
6.35	.250	27.43	1.080
4.45	.175	26.16	1.030
2.79	.110	25.91	1.020
2.54	.100	20.32	.800
2.29	.090	14.35	.565
0.76	.030	13.97	.550
0.38	.015	12.19	.480
0.25	.010	8.13	.320
0.13	.005	6.99	.275
MM	IN	MM	IN

CONVERSION TABLE

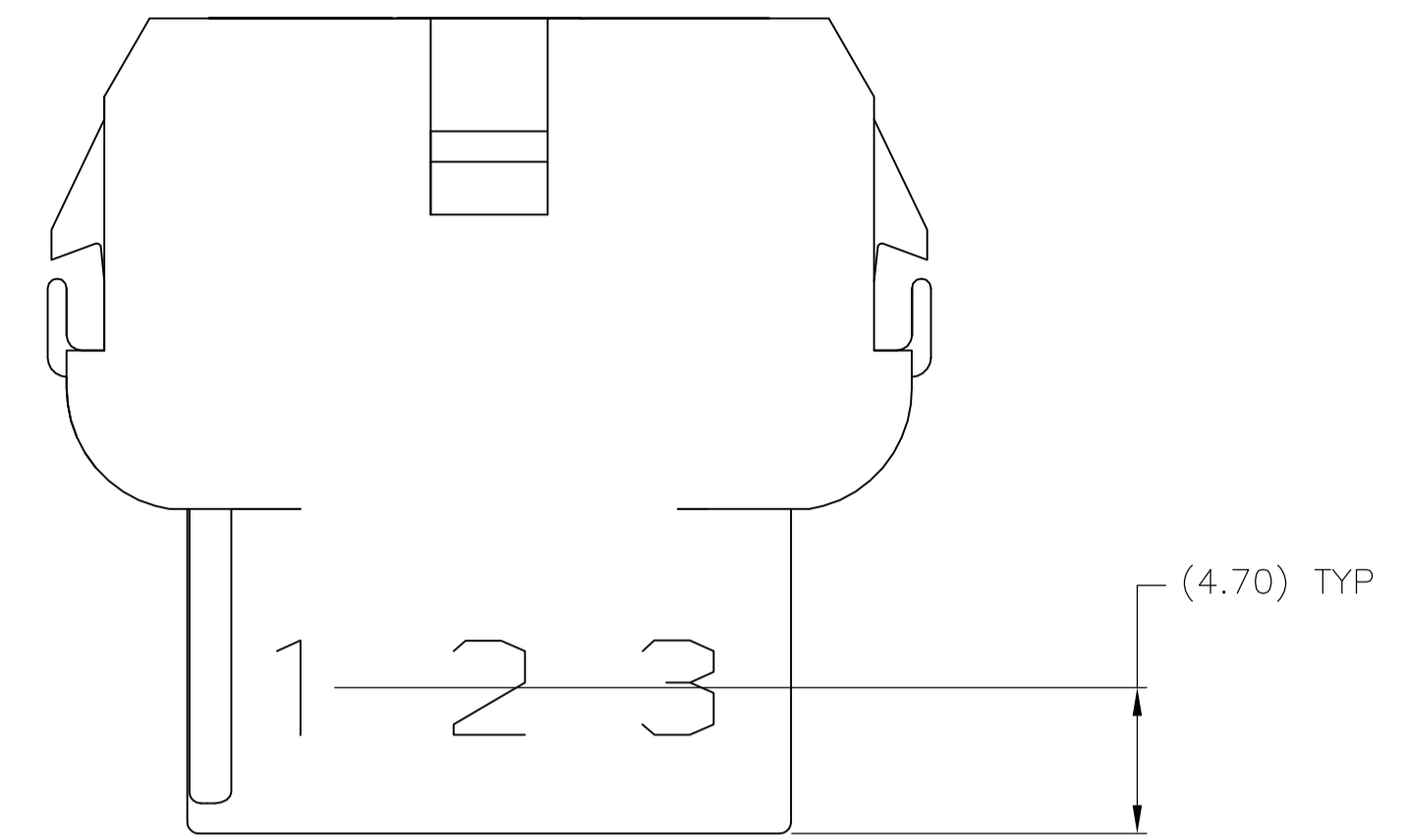
COLOR	PART NUMBER
BLACK	1-480705-9
GREY	1-480705-8
BLUE	1-480705-6
GREEN	1-480705-5
YELLOW	1-480705-4
ORANGE	1-480705-3
RED	1-480705-2
BROWN	1-480705-1
NATURAL	1-480705-0
COLOR	PART NUMBER

THIS DRAWING IS A CONTROLLED DOCUMENT.

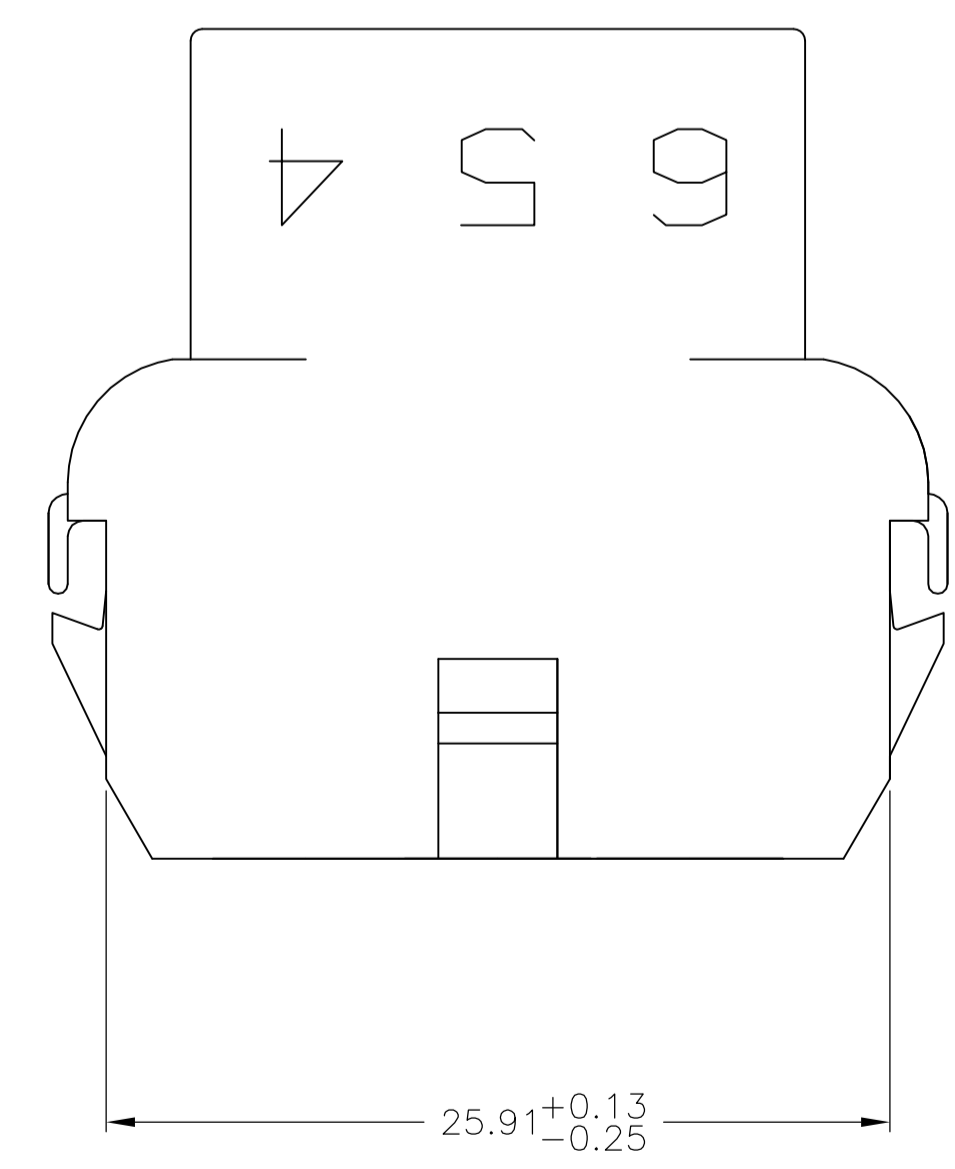
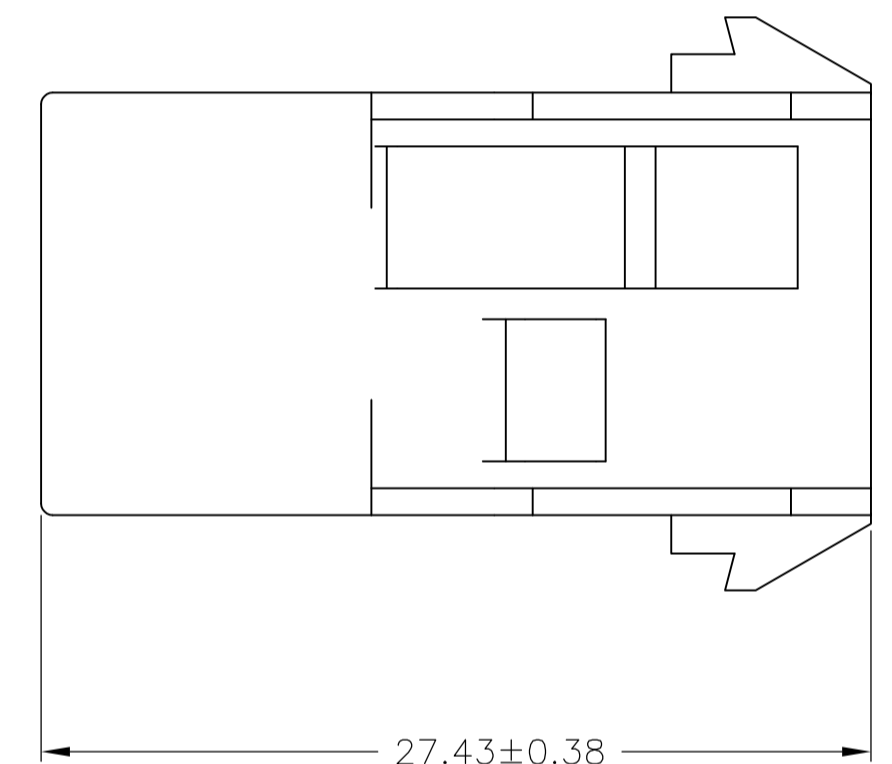
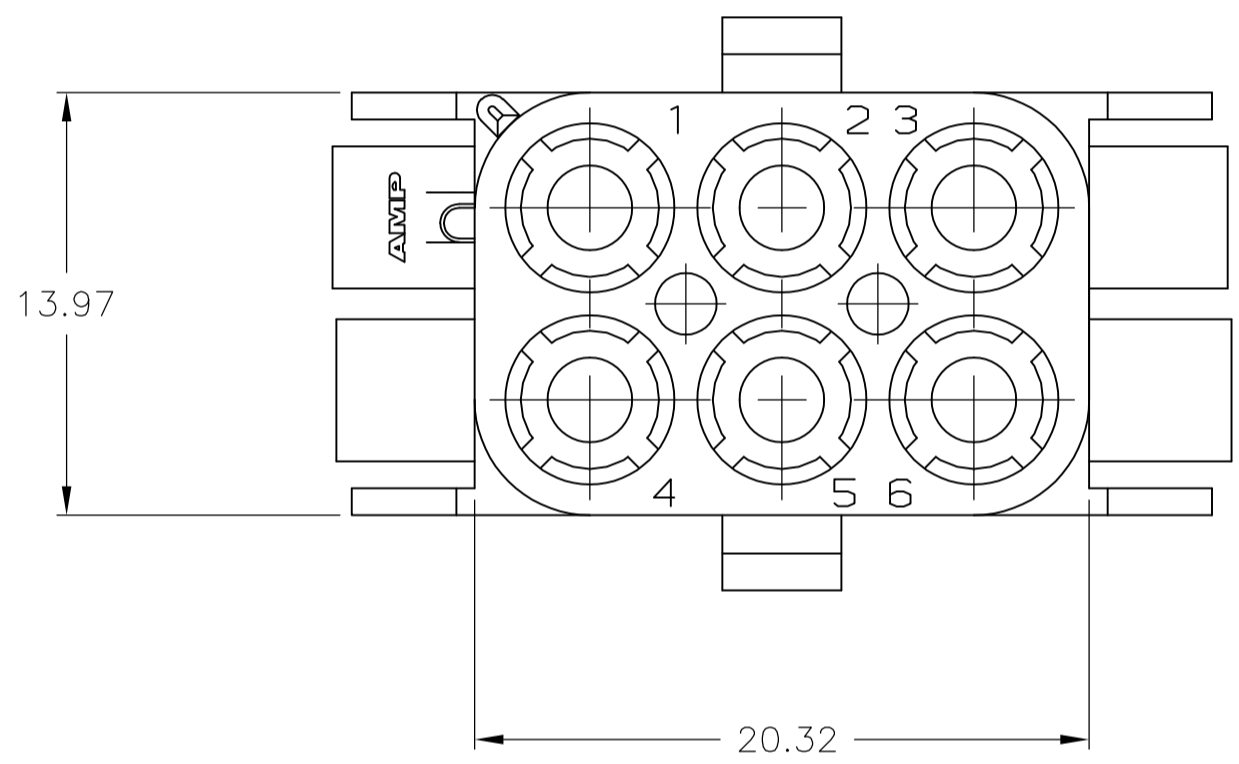
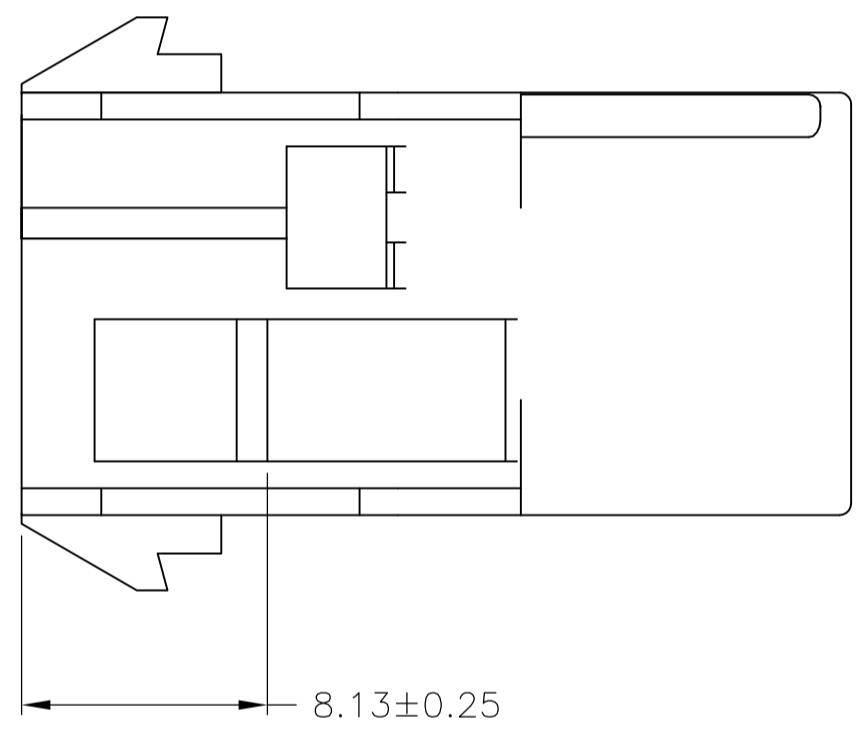
DIMENSIONS: mm	TOLERANCES UNLESS OTHERWISE SPECIFIED:	DIN K. WHITAKER 28JUL04	CHK S. RIDGILL 28JUL04
0. PLC ± -	1. PLC ± -	APVD S. RIDGILL 28JUL04	NAME
2. PLC ± 0.127	3. PLC ± -	PRODUCT SPEC	CAP.
4. PLC ± -	ANGLES ± 0.30°	APPLICATION SPEC	6 CIRCUIT, UNIVERSAL MATE-N-LOK™
MATERIAL NYLON, UL94V-2	FINISH -	WEIGHT	SIZE CAGE CODE DRAWING NO. RESTRICTED TO
			A1 00779 480705
		CUSTOMER DRAWING	SCALE 4:1 SHEET 1 OF 2 REV AP4

STE TE Connectivity

LOC		DIST		REVISIONS			
P	LTR	DESCRIPTION	DATE	DN	APVD		
-	-	SEE SHEET 1	-	-	-	-	-



- 1 STAMP NUMBERS 3.18 HIGH AT WIRE END OF HOUSING (12 POINT DAVID TYPE); CLARIFICATION MARKS UNDER THE 6 & 9.
- 2 CHARACTERS TO BE STAMPED ON HOUSING IN A MANNER AS TO BE READ FROM WIRE END ONLY.
- 3 VIOLET, BLACK, BROWN, AND BLUE COLORED BLOCKS TO BE STAMPED WITH WHITE CHARACTERS. ALL OTHER COLORED BLOCKS TO BE STAMPED WITH BLACK CHARACTERS.



MM	IN	MM	IN
5.08	.200	-	-
4.70	.185	27.43	1.080
3.18	.125	25.91	1.020
0.38	.015	20.32	.800
0.25	.010	13.97	.550
0.13	.005	8.13	.320

CONVERSION TABLE

NATURAL	2-480705-0
COLOR	PART NO.

THIS DRAWING IS A CONTROLLED DOCUMENT.

DIMENSIONS:	TOLERANCES UNLESS OTHERWISE SPECIFIED:	DIN K. WHITAKER 28JUL04	NAME
mm	0. PLC ± -	CHK S. RIDGILL 28JUL04	APVD S. RIDGILL 28JUL04
	1. PLC ± -	PRODUCT SPEC	
	2. PLC ± 0.127	APPLICATION SPEC	
	3. PLC ± -	WEIGHT	
	4. PLC ± -	CUSTOMER DRAWING	
	ANGLES ± 0°30'	SCALE	4:1
MATERIAL	FINISH	SIZE	A1
		CAE CODE	00779
		DRAWING NO	480705
		SHEET	2 OF 2
		REV	AP4

TE Connectivity
 CAP.
 6 CIRCUIT.
 UNIVERSAL MATE-N-LOK™